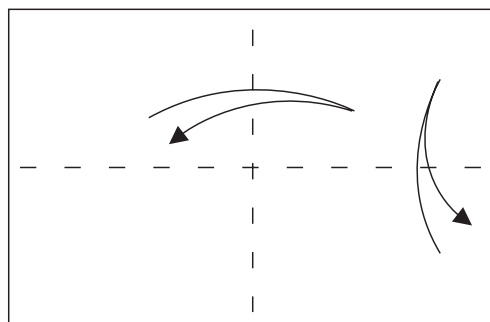


Playing the cards

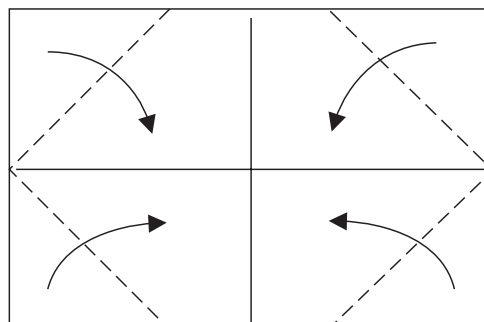
by Eugeny Fridrikh

1.



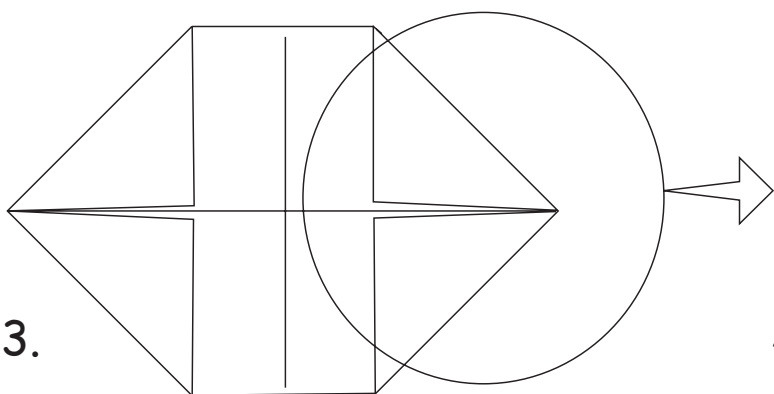
Start with 1:1.5 rectangular sheet of paper, make two half folds

2.



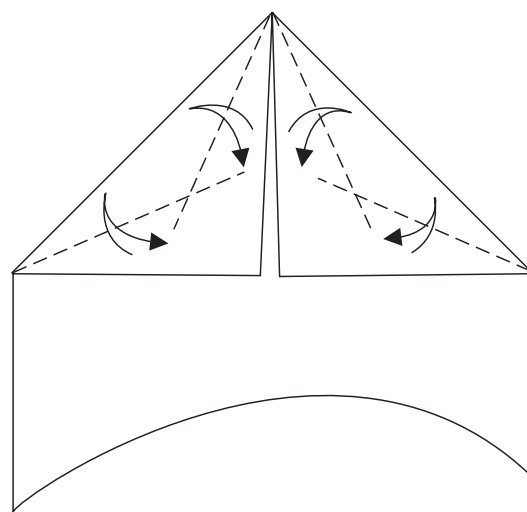
Fold the corners to the middle line made before

3.



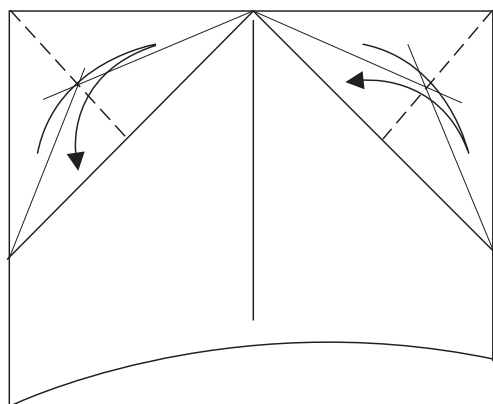
See the result and look on the right side

4.



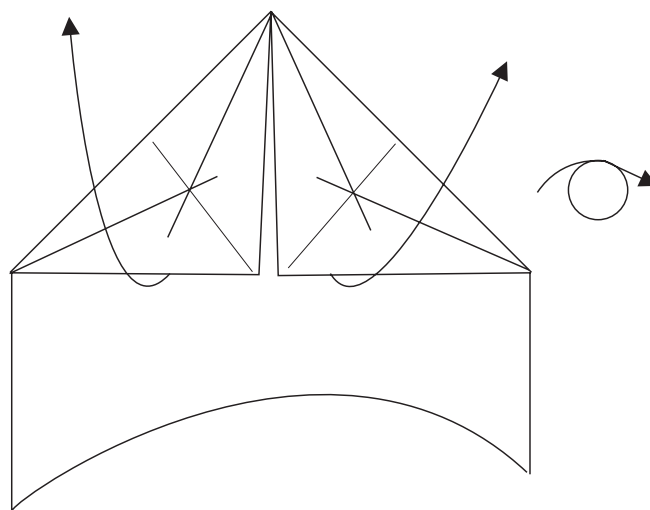
Enlarged view of right side. Precrease the diagonal valleys on the both triangles

5.

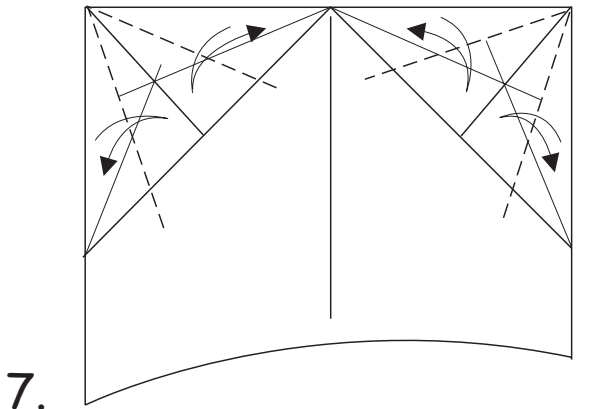


Make two valleys more

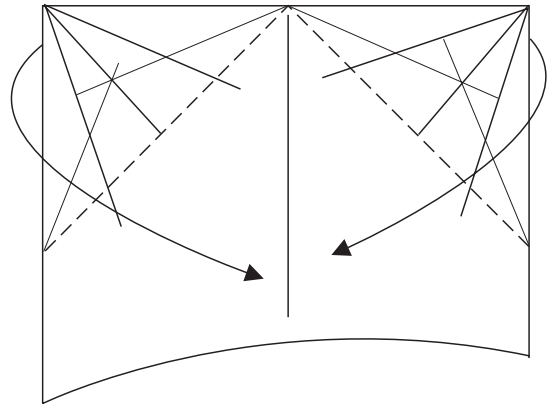
6.



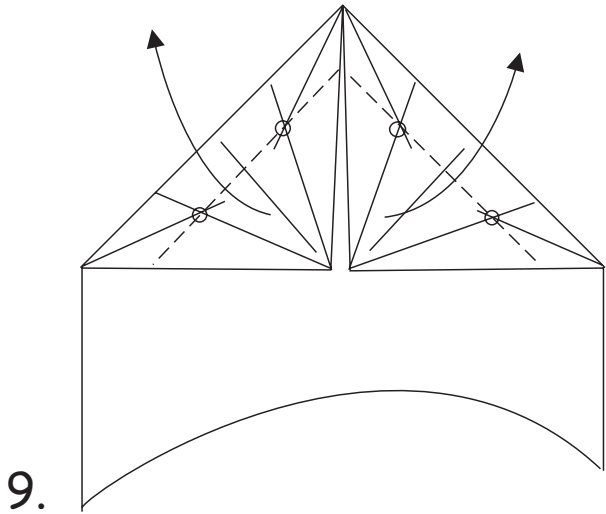
Unfold the corners upwards



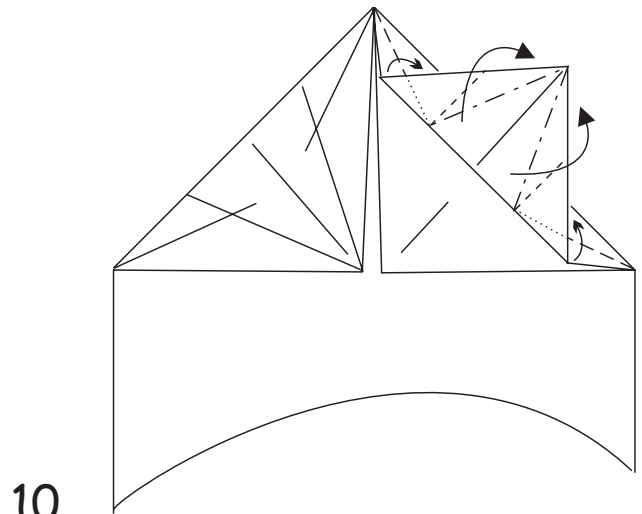
7. Precrease the valley-folds, dividing each corner in 4 parts



8. Make the airplane fold

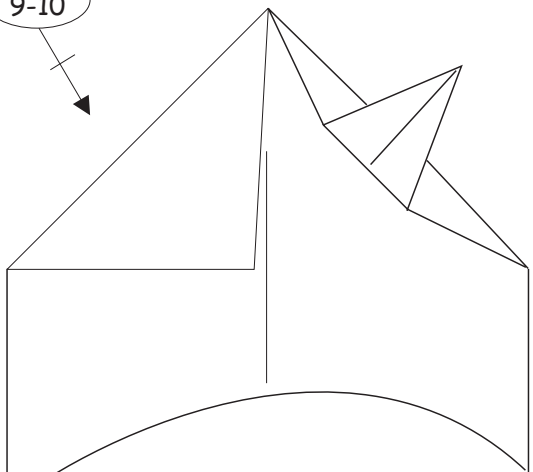


9. Valley-folds until the marked points

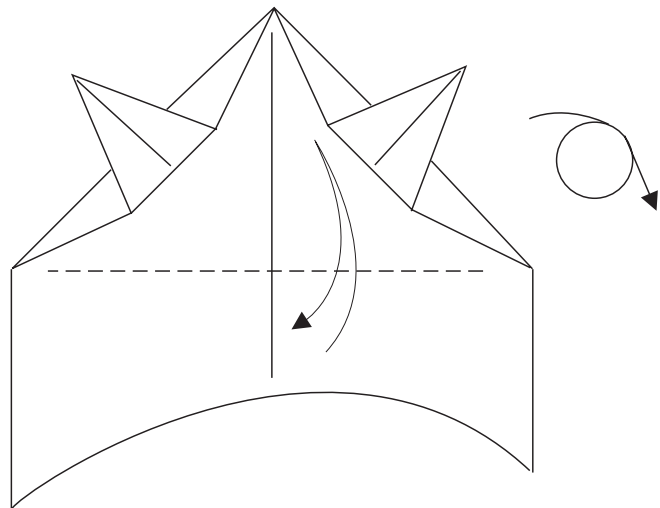


10.

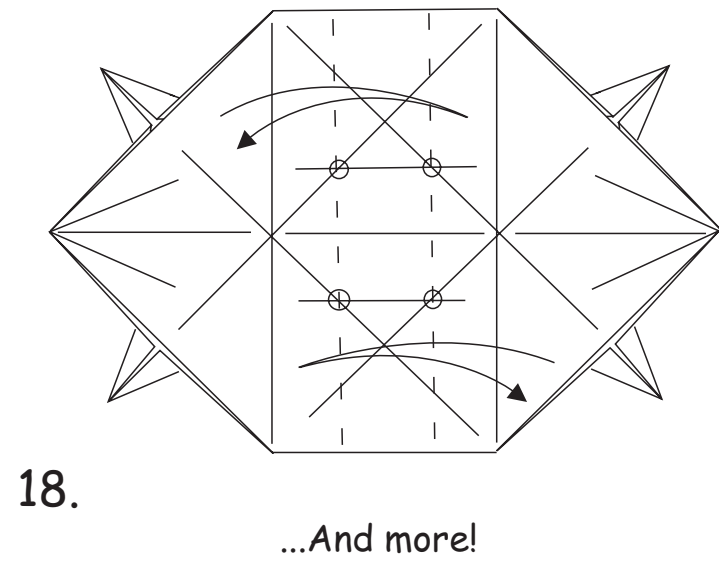
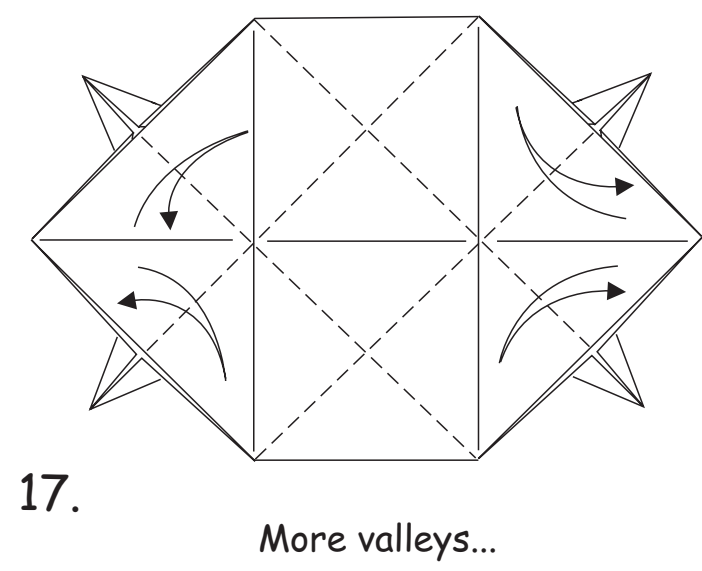
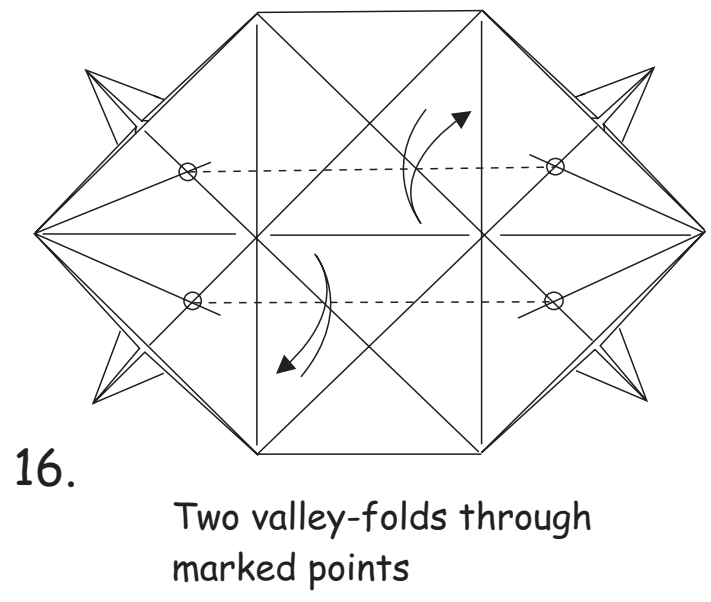
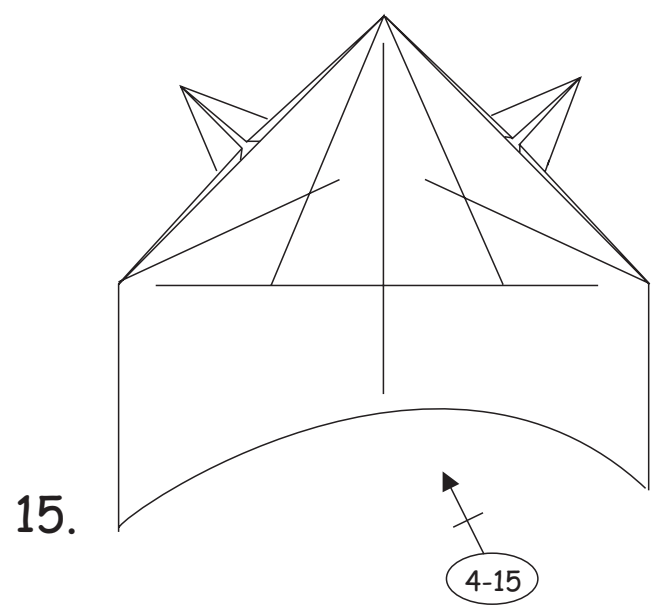
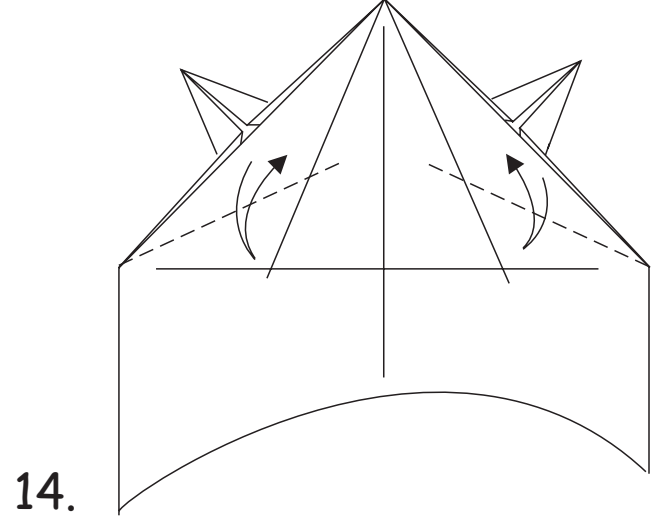
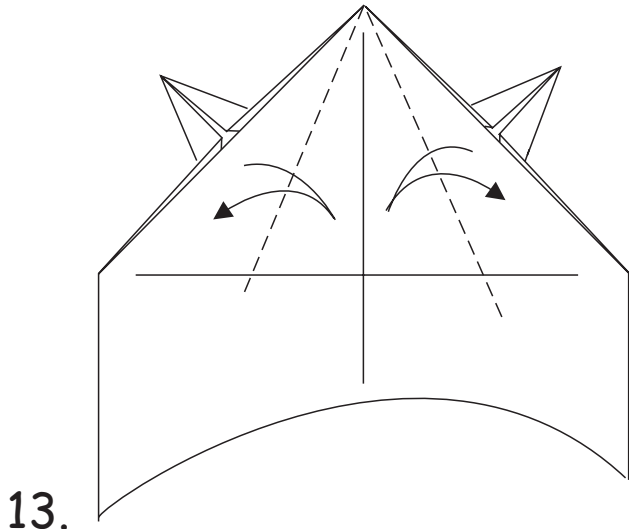
9-10

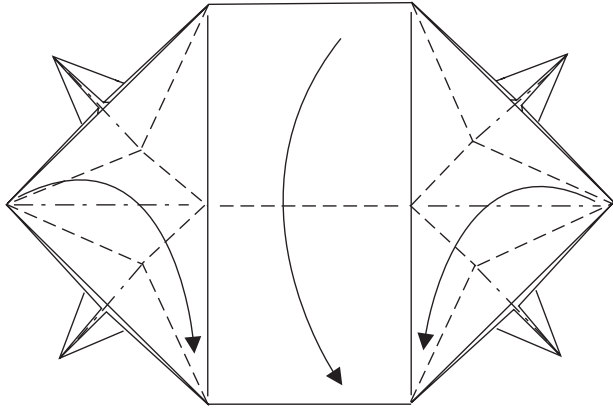


11. Repeat 9-10 on the left corner



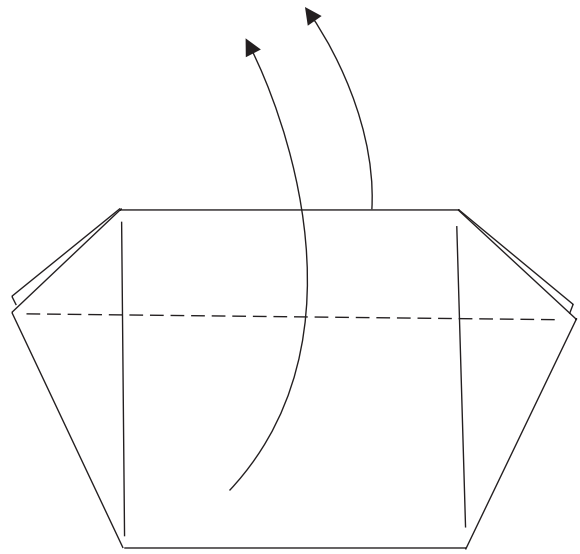
12. Precrease. Turn the model



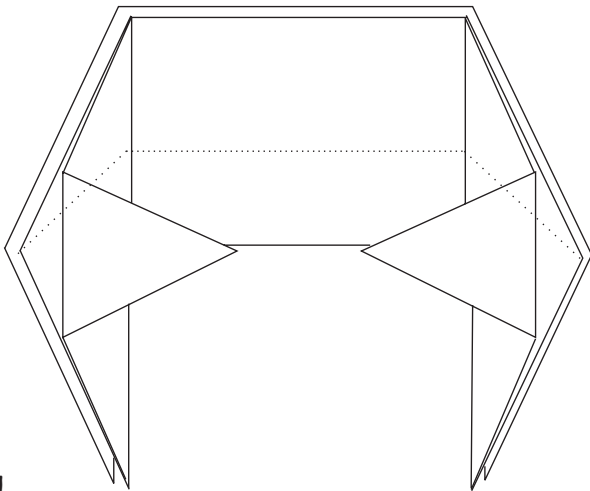


19.

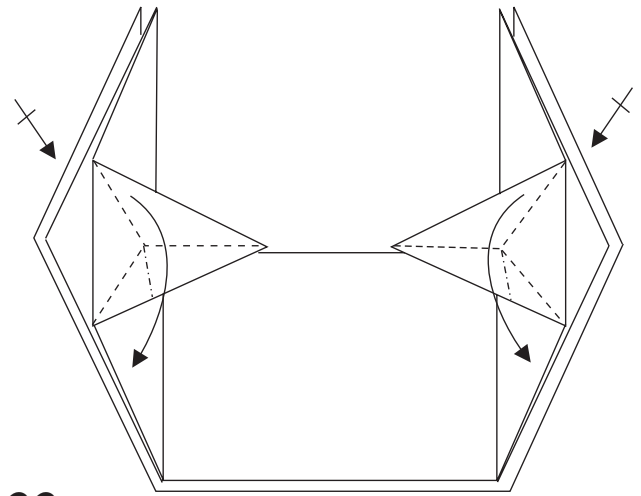
Close the model, using the creases made in steps 13-17



20.

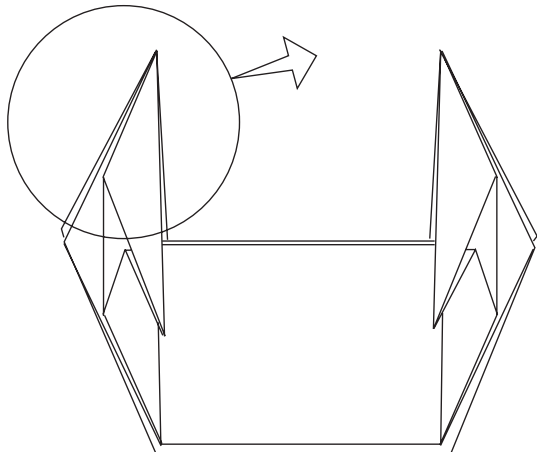


21.

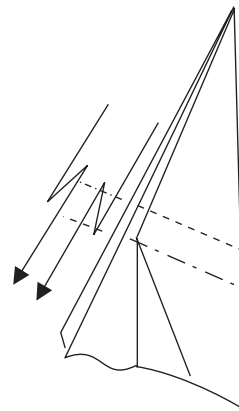


22.

Rabbit ears
Repeat behind

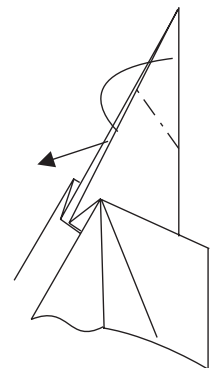


23.



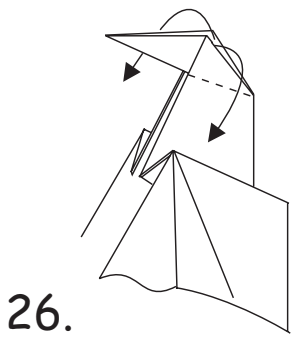
24.

Enlarged view of the left corner.
Pleat crease

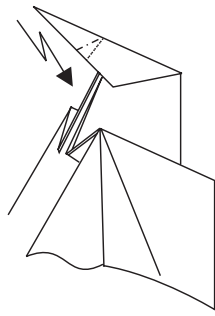


25.

Inside-reverse fold

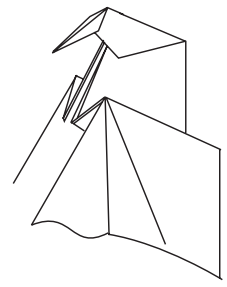


26.

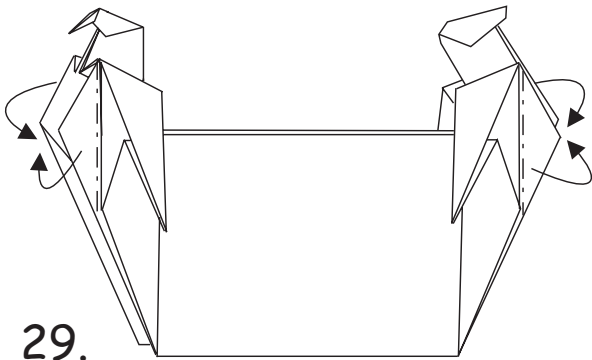


27.

Outside crimp-fold

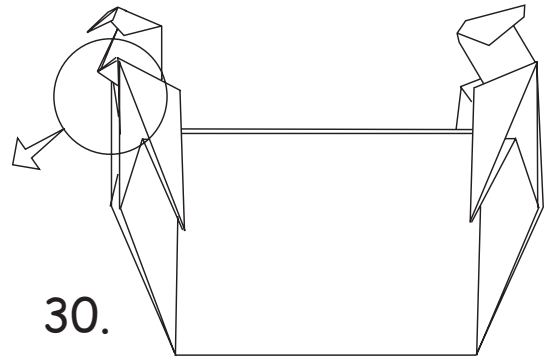


28.

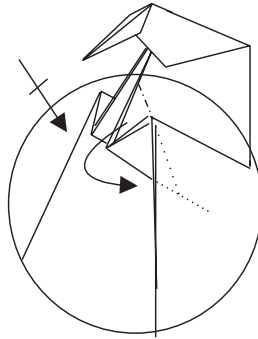


29.

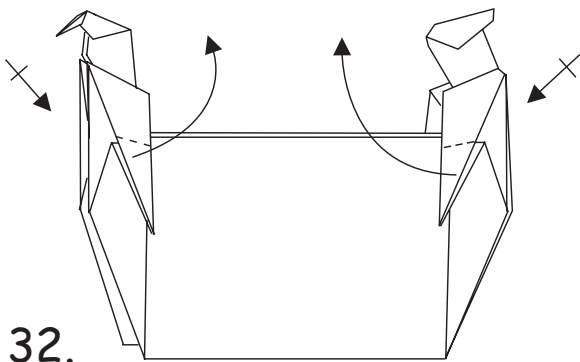
Fold inside



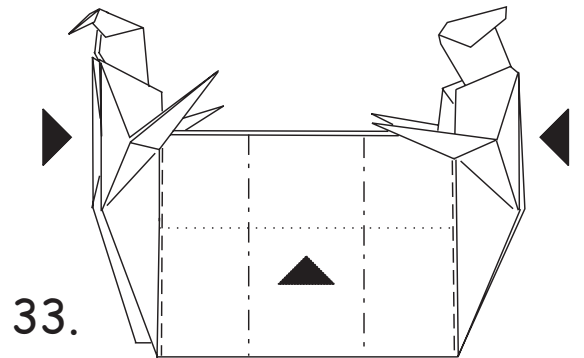
30.



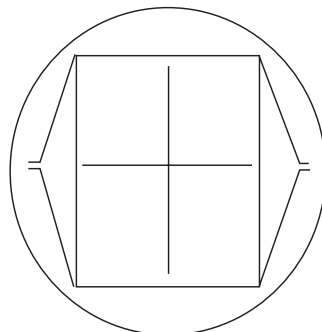
31.



32.



33.

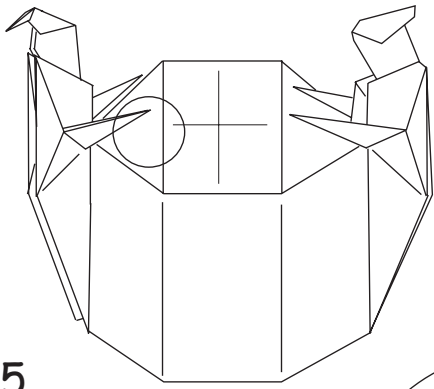


34.

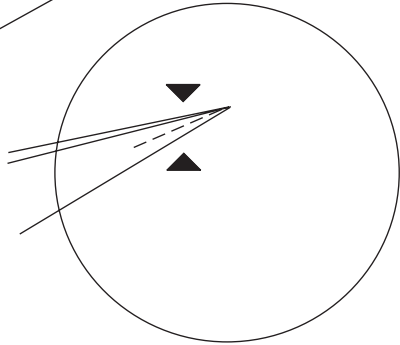
Up view of the table

Let's make the playing table.
Move the players towards each other, simultaneously pull upwards the hidden paper

35.

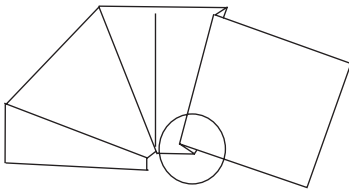


36.



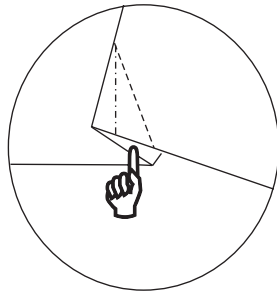
Thinner right hand
of each player

40.



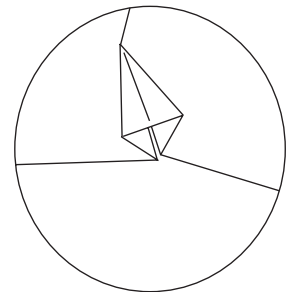
Look on the marked
corner

41.



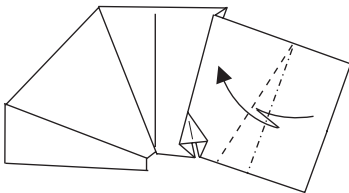
Squash fold...

42.



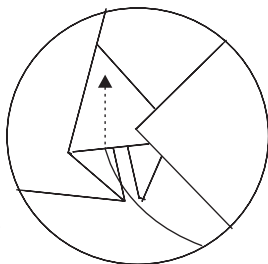
...Like this.

43.



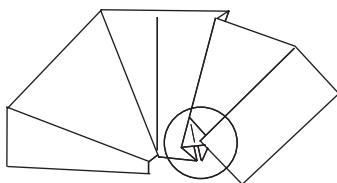
Last crimp-fold

45.



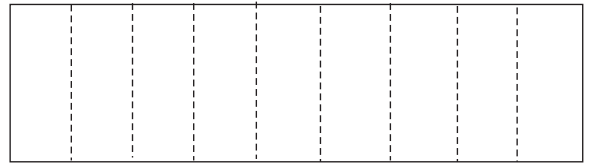
Pull in this flap
the right hand of
player. Repeat
37-45 once more.

44.



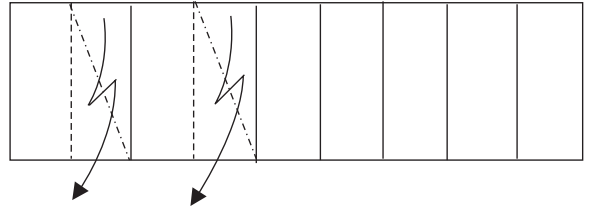
Return to the flap
made in step 41

37.



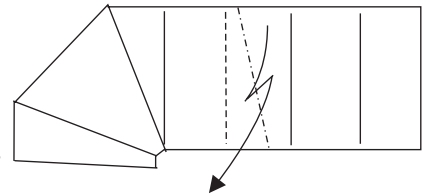
Let's design the cards.
Take the short strip for this aim

38.



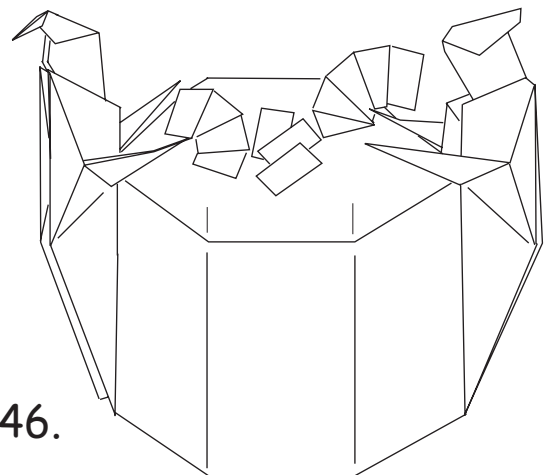
Two crimp-folds

39.



One more crimp

46.



The completed players.
Really they are much chance
men if playing being standing.